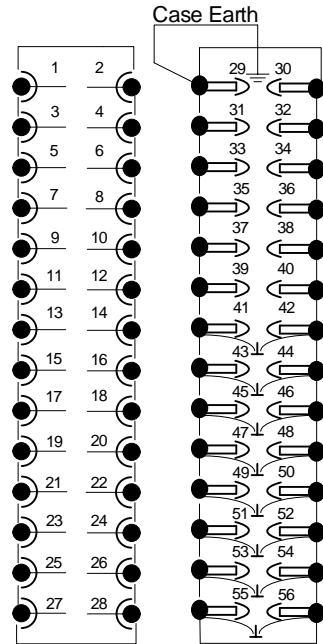
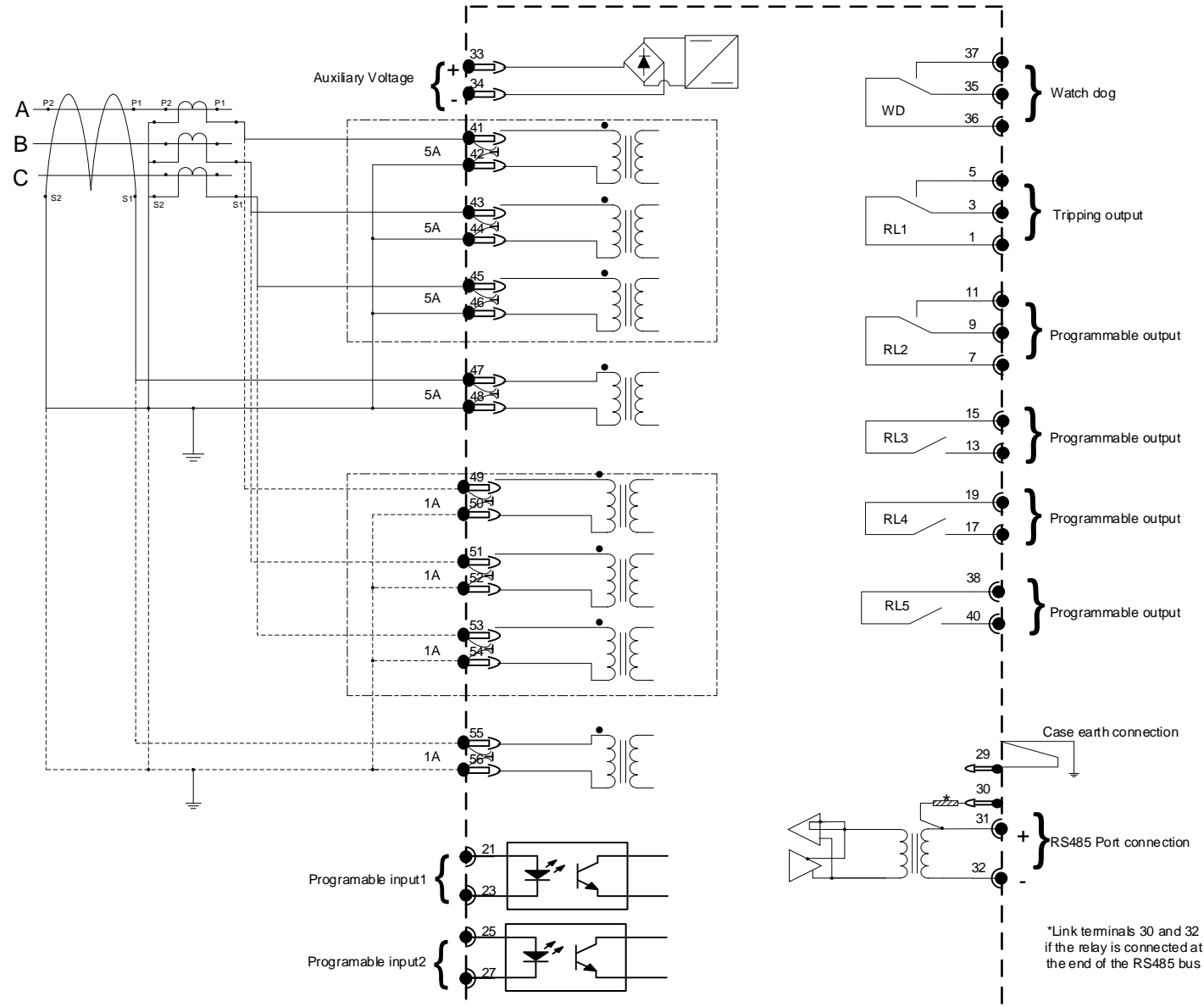


The current inputs are connected to 3 phase CTs + a core balanced CT



Module Terminal Blocks
Viewed from rear
(with integral earth link)



Note :

- (1) (a) CT shorting links make before (b) and (c) disconnect
- (b) Short terminals break before (c)
- (c) Long terminals
- (d) Pins terminals (pcb type)

VX : 48-150Vdc or 35-100Vac

 همیان فن HAMIANFAN	Date : 2020/7/12	Page 1/1	Drawn By: S. Maddah
	Revision: V 003		Checked By: M. Dastjerdi
	HF1024(DOA2.1), HF1034(DOA3.1)		Approved By: K. Araghi